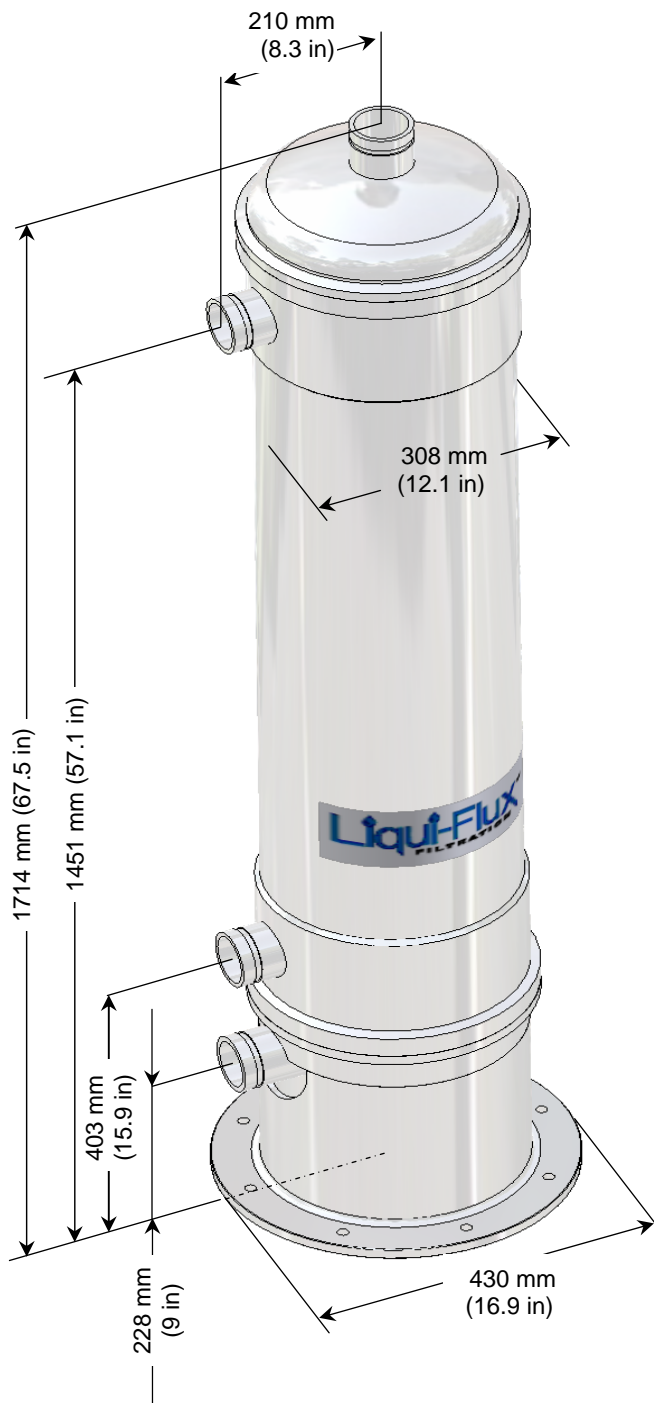


## Liqui-Flux® W01 DRINKING WATER FILTRATION PRODUCT DATA SHEET



Membrane Characteristics	
Membrane Type	Hollow Fiber, Inside - Out
Membrane Material	Modified Polyethersulfone
MWCO, Nominal	80 kDa
Outer / Inner Diameter	1250 µm / 800 µm
Recommended Cut Off Prefiltration	100 µm
Burst Pressure	≥ 1200 kPa (174 psi)
Implosion Pressure	≥ 700 kPa (101.5 psi)

Housing Characteristics	
Housing Material	Glass Fiber Reinforced Plastic
Coating Inside	Coating for drinking water
Potting Material	Polyurethane
Sealing Material	EPDM, O-Ring
Connectors	3" Victaulic (76.1 mm)
Shipping Weight	46 kg
Weight Filled With Liquid	135 kg
Effective Membrane Surface Area	61 m <sup>2</sup> (653.4 ft <sup>2</sup> )
Max. Working Pressure	400 kPa (58 psi) @ 20°C (68°F)
Max. Working Temperature*	40° C (104°F) @ 150 kPa (22 psi)
pH-Range During Cleaning	2-12

Product is NSF certified to 23° C (73° F)



Regulatory Compliance	
Germany	UBA*
USA	ANSI/NSF 61

(D1\_LF W01\_Rev4 \_1-08)

All Dimensions are Nominal

Typical Application / Operating Data:		
Operating mode		Dead-End / Cross-Flow
Typical flux range, filtration	l/m <sup>2</sup> *h	70 - 120
Typical flux range, backwash	l/m <sup>2</sup> *h	150 - 250
Filtrate flow rate range	m <sup>3</sup> /h	4 - 8
Typical transmembrane pressure, filtration	kPa (psi)	10 - 70 (1.45 - 10.15)
Typical transmembrane pressure, backwash	kPa (psi)	50 - 100 (7.2 - 14.5)
Max. transmembrane pressure	kPa (psi)	150 (21.7)
Backwash frequency	h <sup>-1</sup>	1 - 4
Backwash duration	sec.	20 - 90
CEB <sup>**</sup> frequency (maximum)	d <sup>-1</sup>	1 - 8
CEB <sup>**</sup> duration	min	2 - 15
Typical instantaneous chlorine tolerance	ppm	100 - 200
Typical free chlorine exposure	ppm h	200000
Typical instantaneous hydrogen peroxide tolerance	ppm	200
Typical cleaning chemicals		NaOCl, HCl, NaOH, H <sub>2</sub> O <sub>2</sub> , Citric Acid, Enzymatic Compounds

\* Certificate available upon request

\*\* CEB = Chemical Enhanced Backwash

This product is to be used only by persons familiar with its use. It must be maintained within the stated limitations. All sales are subject to Seller's terms and conditions. Purchaser assumes all responsibility for the suitability and fitness for use as well as for the protection of the environment and for health and safety involving this product. Seller reserves the right to modify this document without prior notice. Check with your representative to verify the latest update. To the best of our knowledge the information contained herein is accurate. However, neither Seller nor any of its affiliates assumes any liability whatsoever for the accuracy or completeness of the information contained herein. Final determination of the suitability of any material and whether there is any infringement of patents, trademarks, or copyrights is the sole responsibility of the user. Users of any substance should satisfy themselves by independent investigation that the material can be used safely. We may have described certain hazards, but we cannot guarantee that these are the only hazards that exist.

Liqui-Flux is a registered trademark of Membrana GmbH and nothing herein shall be construed as a recommendation or license to use any information that conflicts with any patent, trademark or copyright of Seller or others.

©2008 Membrana GmbH (D1\_LF W01\_Rev4\_1-08)

**Membrana GmbH**  
Oehder Strasse 28  
D-42289 Wuppertal  
Germany

Phone: +49 202 6099 - 247  
Fax: +49 202 6099 - 750

**Membrana - Charlotte**  
A Division of Celgard, LLC  
13800 South Lakes Drive  
Charlotte, North Carolina 28273  
USA

Phone: (704) 587 8888  
Fax: (704) 587 8585

**MEMBRANA**  
Underlining Performance

[www.liqui-flux.com](http://www.liqui-flux.com)

A **POLYPOR** Company